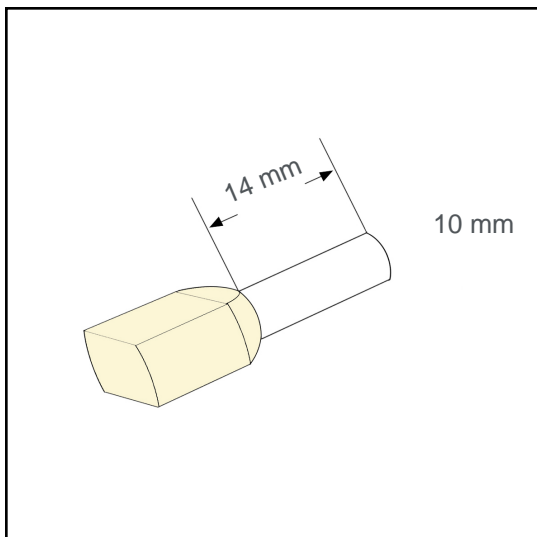


Wire end sleeve insulated twin 10 mm² - 14 mm A10057TWIN



Datasheet:

Cross section (mm ²):	10
AWG:	2x8
Length (mm):	14
Color:	ivory
Material:	Cu-DHP / Polypropylene
Surface:	tin plated
Minimum thickness of tin coating:	3 µm
Max. Temp:	105°C
REACH/RoHS:	confirmed
Certificates:	UL

for two wires in one ferrule

Packing sizes:

100 pcs.:	Part no.: 005908
5 x 100 pcs.:	Part no.: 005907
5000 pcs.:	Part no.: 005282

Dimensions (mm):

l1	l2	d1	s1	d2	s2	d3
26	14	6.5	0.2	7.2	0.4	13

