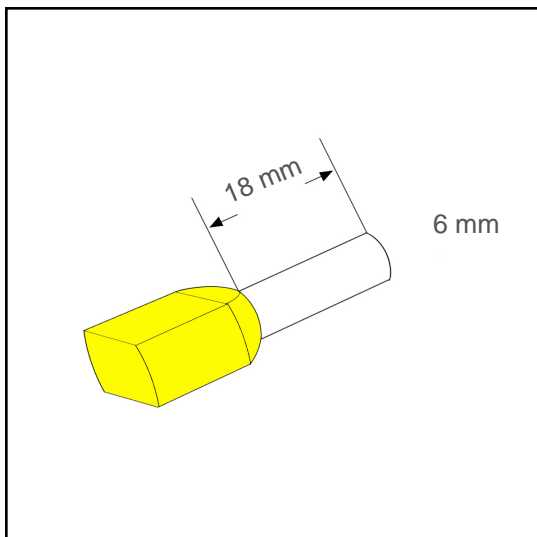


Wire end sleeve insulated twin 6 mm² - 18 mm A06085TWIN



Datasheet:

Cross section (mm ²):	6
AWG:	2x10
Length (mm):	18
Color:	yellow
Material:	Cu-DHP / Polypropylene
Surface:	tin plated
Minimum thickness of tin coating:	3 μm
Max. Temp:	105°C
REACH/RoHS:	confirmed

for two wires in one ferrule

Packing sizes:

100 pcs.:	Part no.: 005891
5 x 100 pcs.:	Part no.: 005890
7000 pcs.:	Part no.: 005278

Dimensions (mm):

l1	l2	d1	s1	d2	s2	d3
29	18	4.9	0.2	5.6	0.4	9.5

