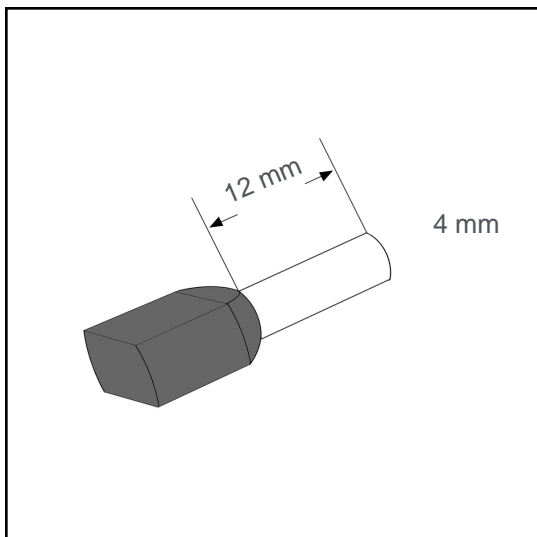


# Wire end sleeve insulated twin 4 mm<sup>2</sup> - 12 mm A04055TWIN



## Datasheet:

Cross section (mm <sup>2</sup> ):	4
AWG:	2x12
Length (mm):	12
Color:	grey
Material:	Cu-DHP / Polypropylene
Surface:	tin plated
Minimum thickness of tin coating:	3 µm
Max. Temp:	105°C
REACH/RoHS:	confirmed
Certificates:	UL

## Packing sizes:

100 pcs.:	Part no.: 005857
5 x 100 pcs.:	Part no.: 005856
15000 pcs.:	Part no.: 005271

## Dimensions (mm):

l1	l2	d1	s1	d2	s2	d3
23	12	3.8	0.2	4.7	0.4	8.6

