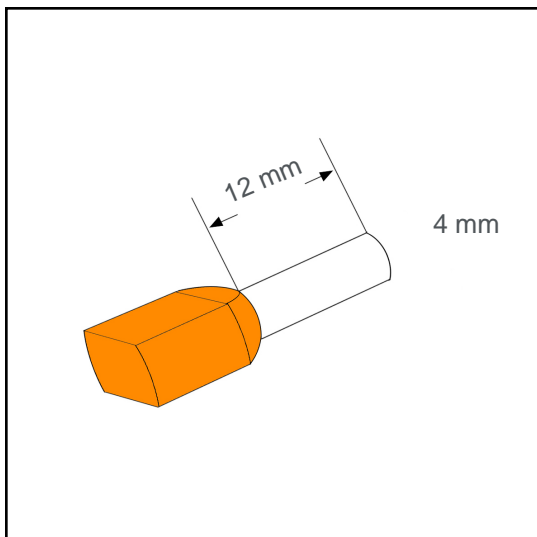


Wire end sleeve insulated twin 4 mm² - 12 mm A04052TWIN



Datasheet:

Cross section (mm ²):	4
AWG:	2x12
Length (mm):	12
Color:	orange
Material:	Cu-DHP / Polypropylene
Surface:	tin plated
Minimum thickness of tin coating:	3 μm
Max. Temp:	105°C
REACH/RoHS:	confirmed
Certificates:	UL

Packing sizes:

100 pcs.:	Part no.: 006449
5 x 100 pcs.:	Part no.: 005853
15000 pcs.:	Part no.: 005270

Dimensions (mm):

l1	l2	d1	s1	d2	s2	d3
23	12	3.8	0.2	4.7	0.4	8.6

