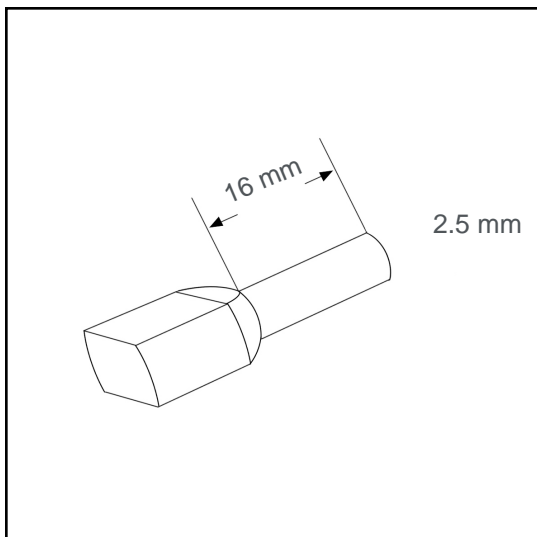


## Wire end sleeve insulated twin 2.5 mm<sup>2</sup> - 16 mm A02585TWIN



### Datasheet:

Cross section (mm <sup>2</sup> ):	2.5
AWG:	2x14
Length (mm):	16
Color:	blue
Material:	Cu-DHP / Polypropylene
Surface:	tin plated
Minimum thickness of tin coating:	3 μm
Max. Temp:	105°C
REACH/RoHS:	confirmed

### Packing sizes:

10 x 100 pcs.: Part no.: 008826

20000 pcs.: Part no.: 008825

### Dimensions (mm):

l1	l2	d1	s1	d2	s2	d3
24.5	16	4	0.2	4	0.4	7.6

