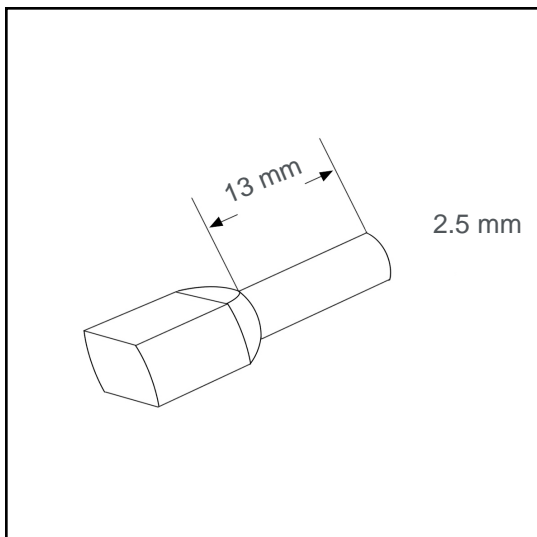


# Wire end sleeve insulated twin 2.5 mm<sup>2</sup> - 13 mm A02575TWIN



## Datasheet:

Cross section (mm <sup>2</sup> ):	2.5
AWG:	2x14
Length (mm):	13
Color:	blue
Material:	Cu-DHP / Polypropylene
Surface:	tin plated
Minimum thickness of tin coating:	3 μm
Max. Temp:	105°C
REACH/RoHS:	confirmed
Certificates:	UL

## Packing sizes:

250 pcs.:	Part no.: 005844
10 x 100 pcs.:	Part no.: 005843
20000 pcs.:	Part no.: 005269

## Dimensions (mm):

l1	l2	d1	s1	d2	s2	d3
21.5	13	2.9	0.2	4	0.4	7.6

