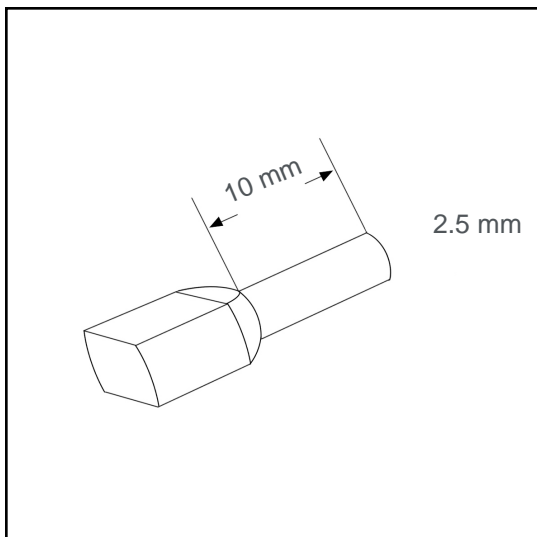


Wire end sleeve insulated twin 2.5 mm² - 10 mm A02555TWIN



Datasheet:

Cross section (mm ²):	2.5
AWG:	2x14
Length (mm):	10
Color:	blue
Material:	Cu-DHP / Polypropylene
Surface:	tin plated
Minimum thickness of tin coating:	3 μm
Max. Temp:	105°C
REACH/RoHS:	confirmed
Certificates:	UL

for two wires in one ferrule

Packing sizes:

250 pcs.:	Part no.: 005826
10 x 100 pcs.:	Part no.: 005825
25000 pcs.:	Part no.: 005267

Dimensions (mm):

l1	l2	d1	s1	d2	s2	d3
18.5	10	2.9	0.2	4	0.4	7.6

