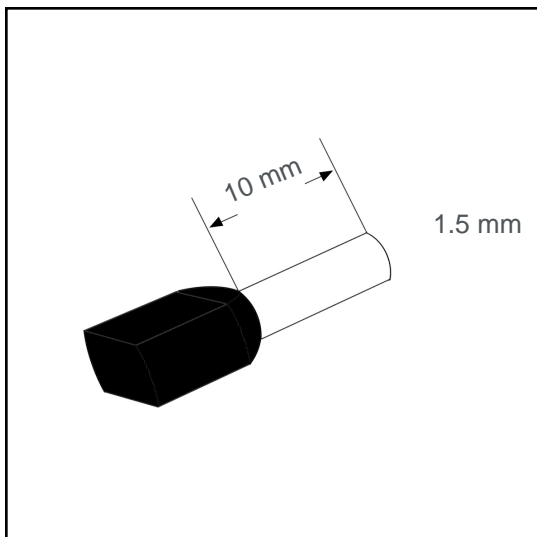


Wire end sleeve insulated twin 1.5 mm² - 10 mm A01565TWIN



Datasheet:

Cross section (mm ²):	1.5
AWG:	2x16
Length (mm):	10
Color:	black
Material:	Cu-DHP / Polypropylene
Surface:	tin plated
Minimum thickness of tin coating:	3 μm
Max. Temp:	105°C
REACH/RoHS:	confirmed

for two wires in one ferrule

Packing sizes:

500 pcs.:	Part no.: 005786
10 x 100 pcs.:	Part no.: 005785
40000 pcs.:	Part no.: 005263

Dimensions (mm):

l1	l2	d1	s1	d2	s2	d3
18	10	2.3	0.15	3.6	0.3	6.6

