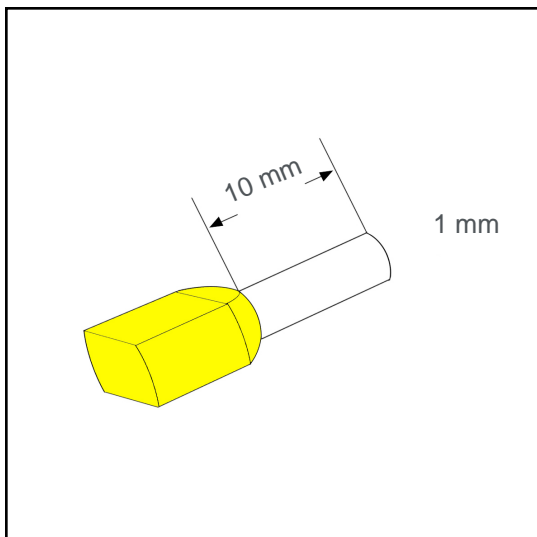


Wire end sleeve insulated twin 1 mm² - 10 mm A01077TWIN



Datasheet:

Cross section (mm ²):	1
AWG:	2x18
Length (mm):	10
Color:	yellow
Material:	Cu-DHP / Polypropylene
Surface:	tin plated
Minimum thickness of tin coating:	3 µm
Max. Temp:	105°C
REACH/RoHS:	confirmed
Certificates:	UL

Packing sizes:

500 pcs.:	Part no.: 005745
10 x 100 pcs.:	Part no.: 005744
40000 pcs.:	Part no.: 005258

Dimensions (mm):

l1	l2	d1	s1	d2	s2	d3
17	10	2.05	0.15	3	0.3	5.1

