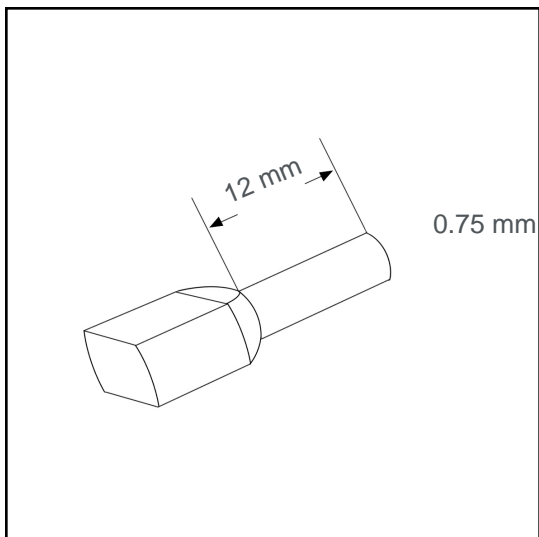


Wire end sleeve insulated twin 0.75 mm² - 12 mm A00782TWIN



Datasheet:

Cross section (mm ²):	0.75
AWG:	2x18
Length (mm):	12
Color:	light blue
Material:	Cu-DHP / Polypropylene
Surface:	tin plated
Minimum thickness of tin coating:	3 μm
Max. Temp:	105°C
REACH/RoHS:	confirmed

for two wires in one ferrule

Packing sizes:

500 pcs.:	Part no.: 005698
10 x 100 pcs.:	Part no.: 005697
50000 pcs.:	Part no.: 005251

Dimensions (mm):

l1	l2	d1	s1	d2	s2	d3
19	12	1.73	0.15	2.6	0.3	5.4

