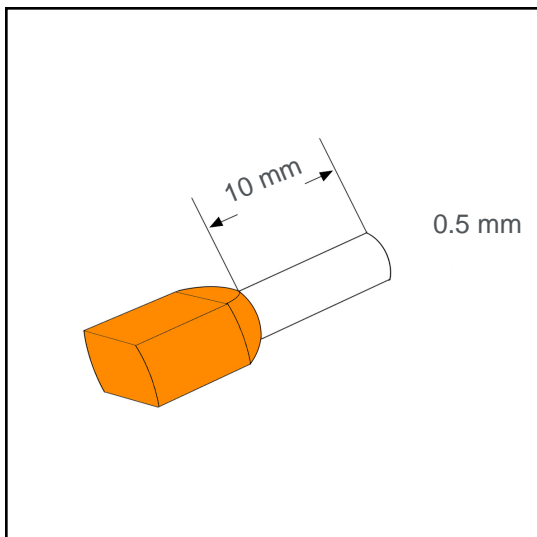


# Wire end sleeve insulated twin 0.5 mm<sup>2</sup> - 10 mm A00577TWIN



## Datasheet:

|                                      |                        |
|--------------------------------------|------------------------|
| Cross section (mm <sup>2</sup> ):    | 0.5                    |
| AWG:                                 | 2x20                   |
| Length (mm):                         | 10                     |
| Color:                               | orange                 |
| Material:                            | Cu-DHP / Polypropylene |
| Surface:                             | tin plated             |
| Minimum thickness<br>of tin coating: | 3 μm                   |
| Max. Temp:                           | 105°C                  |
| REACH/RoHS:                          | confirmed              |

for two wires in one ferrule

## Packing sizes:

|                |                  |
|----------------|------------------|
| 500 pcs.:      | Part no.: 005634 |
| 10 x 100 pcs.: | Part no.: 005633 |
| 50000 pcs.:    | Part no.: 005243 |

## Dimensions (mm):

|    |    |      |      |     |     |     |
|----|----|------|------|-----|-----|-----|
| l1 | l2 | d1   | s1   | d2  | s2  | d3  |
| 17 | 10 | 1.45 | 0.15 | 2.4 | 0.3 | 4.6 |

