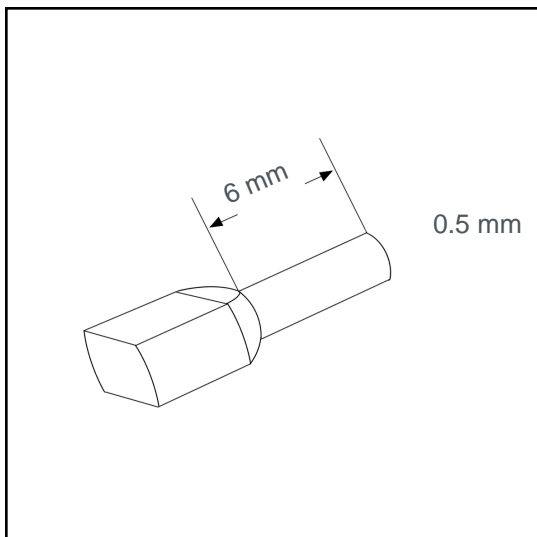


Wire end sleeve insulated twin 0.5 mm² - 6 mm A00535TWIN



Datasheet:

| | |
|--------------------------------------|------------------------|
| Cross section (mm ²): | 0.5 |
| AWG: | 2x20 |
| Length (mm): | 6 |
| Color: | white |
| Material: | Cu-DHP / Polypropylene |
| Surface: | tin plated |
| Minimum thickness of tin coating: | 3 µm |
| Max. Temp: | 105°C |
| REACH/RoHS: | confirmed |

for two wires in one ferrule

Packing sizes:

| | |
|----------------|------------------|
| 500 pcs.: | Part no.: 005598 |
| 10 x 100 pcs.: | Part no.: 005597 |
| 50000 pcs.: | Part no.: 005240 |

Dimensions (mm):

| | | | | | | |
|----|----|------|------|-----|-----|-----|
| l1 | l2 | d1 | s1 | d2 | s2 | d3 |
| 13 | 6 | 1.45 | 0.15 | 2.4 | 0.3 | 4.6 |

