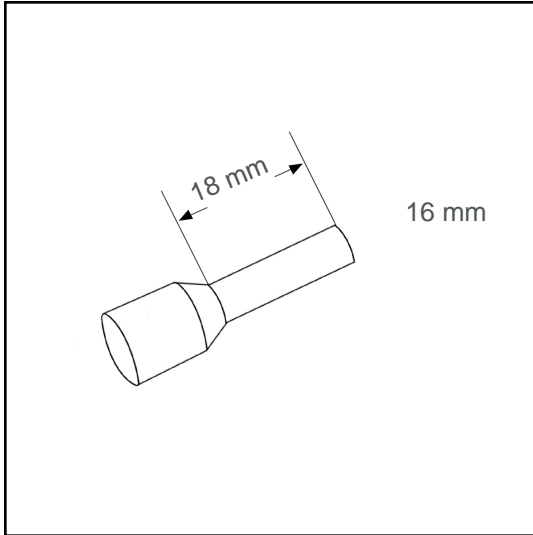


Wire end sleeve insulated 16 mm² - 18 mm A16082GB



Datasheet:

| | |
|--------------------------------------|------------------------|
| Cross section (mm ²): | 16 |
| AWG: | 6 |
| Length (mm): | 18 |
| Color: | white |
| Material: | Cu-DHP / Polypropylene |
| Surface: | tin plated |
| Minimum thickness of tin coating: | 3 μm |
| Max. Temp: | 105°C |
| REACH/RoHS: | confirmed |
| Certificates: | UL |

Packing sizes:

| | |
|---------------|------------------|
| 100 pcs.: | Part no.: 005941 |
| 5 x 100 pcs.: | Part no.: 005940 |
| 7000 pcs.: | Part no.: 005379 |

Dimensions (mm):

| | | | | | |
|----|----|----|-----|-----|-----|
| l1 | l2 | d1 | s1 | d2 | s2 |
| 29 | 18 | 6 | 0.2 | 9.3 | 0.5 |

