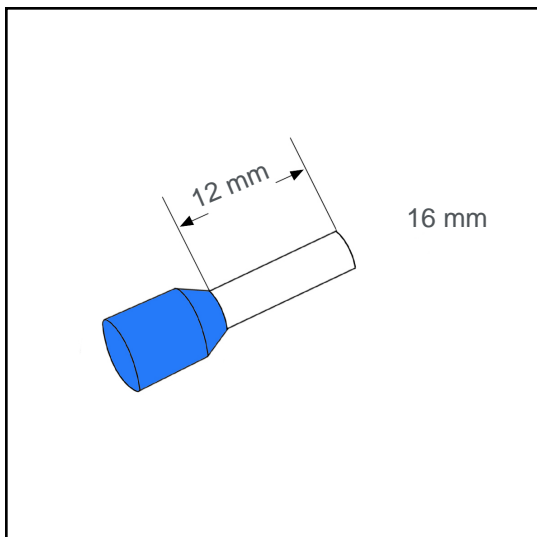


# Wire end sleeve insulated 16 mm<sup>2</sup> - 12 mm A16055GB



## Datasheet:

Cross section (mm <sup>2</sup> ):	16
AWG:	6
Length (mm):	12
Color:	blue
Material:	Cu-DHP / Polypropylene
Surface:	tin plated
Minimum thickness of tin coating:	3 μm
Max. Temp:	105°C
REACH/RoHS:	confirmed
Certificates:	UL

## Packing sizes:

100 pcs.:	Part no.: 005926
5 x 100 pcs.:	Part no.: 005925
8000 pcs.:	Part no.: 005377

## Dimensions (mm):

l1	l2	d1	s1	d2	s2
23	12	6	0.2	9.3	0.5

