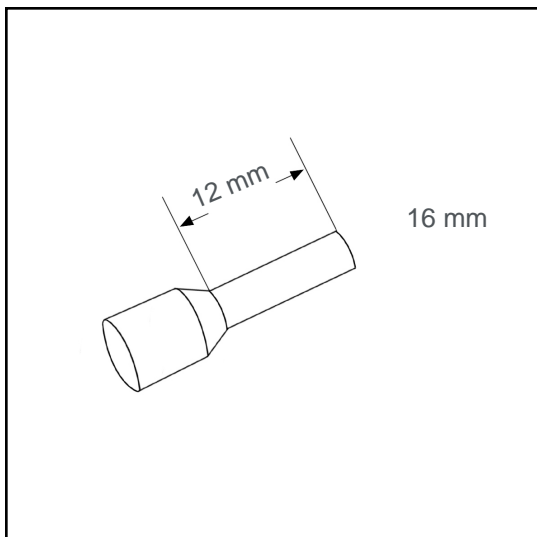


Wire end sleeve insulated 16 mm² - 12 mm A16052GB



Datasheet:

Cross section (mm ²):	16
AWG:	6
Length (mm):	12
Color:	white
Material:	Cu-DHP / Polypropylene
Surface:	tin plated
Minimum thickness of tin coating:	3 μm
Max. Temp:	105°C
REACH/RoHS:	confirmed
Certificates:	UL

Packing sizes:

100 pcs.:	Part no.: 005920
5 x 100 pcs.:	Part no.: 005919
8000 pcs.:	Part no.: 005376

Dimensions (mm):

l1	l2	d1	s1	d2	s2
23	12	6	0.2	9.3	0.5

