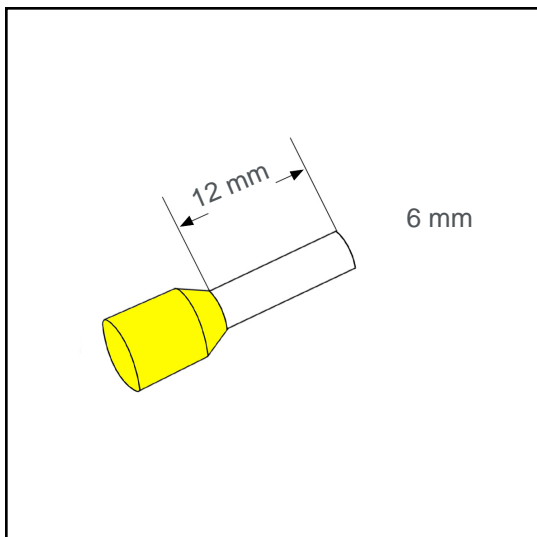


# Wire end sleeve insulated 6 mm<sup>2</sup> - 12 mm A06055GB



## Datasheet:

Cross section (mm <sup>2</sup> ):	6
AWG:	10
Length (mm):	12
Color:	yellow
Material:	Cu-DHP / Polypropylene
Surface:	tin plated
Minimum thickness of tin coating:	3 μm
Max. Temp:	105°C
REACH/RoHS:	confirmed
Certificates:	UL

## Packing sizes:

100 pcs.:	Part no.: 010270
5 x 100 pcs.:	Part no.: 010269
20000 pcs.:	Part no.: 009411

## Dimensions (mm):

l1	l2	d1	s1	d2	s2
20	12	3.6	0.2	6.1	0.4

