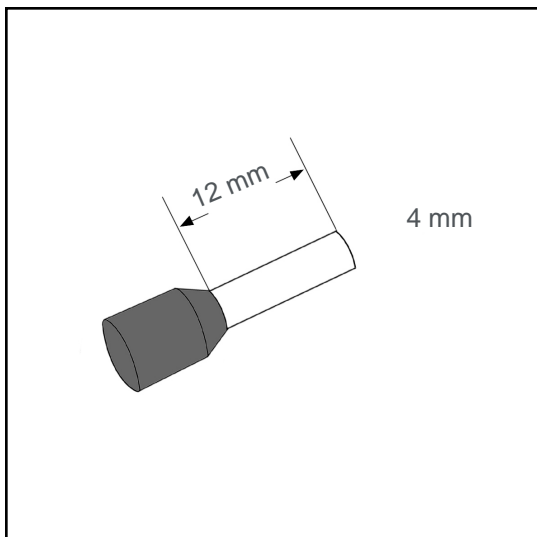


Wire end sleeve insulated 4 mm² - 12 mm A04075GB



Datasheet:

Cross section (mm ²):	4
AWG:	12
Length (mm):	12
Color:	grey
Material:	Cu-DHP / Polypropylene
Surface:	tin plated
Minimum thickness of tin coating:	3 μm
Max. Temp:	105°C
REACH/RoHS:	confirmed
Certificates:	UL

Packing sizes:

500 pcs.:	Part no.: 007742
10 x 100 pcs.:	Part no.: 007741
30000 pcs.:	Part no.: 007322

Dimensions (mm):

l1	l2	d1	s1	d2	s2
20	12	2.9	0.2	6.1	0.3

