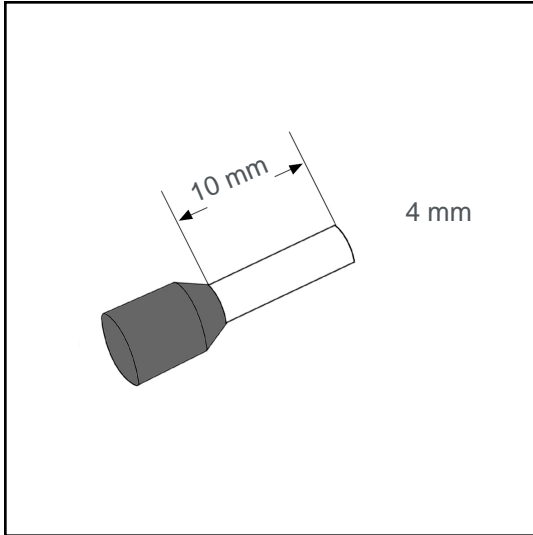


Wire end sleeve insulated 4 mm² - 10 mm

A04055GB



Datasheet:

Cross section (mm ²):	4
AWG:	12
Length (mm):	10
Color:	grey
Material:	Cu-DHP / Polypropylene
Surface:	tin plated
Minimum thickness of tin coating:	3 µm
Max. Temp:	105°C
REACH/RoHS:	confirmed
Certificates:	UL

Packing sizes:

500 pcs.:	Part no.: 007740
10 x 100 pcs.:	Part no.: 007739
30000 pcs.:	Part no.: 007738

Dimensions (mm):

l1	l2	d1	s1	d2	s2
18	10	2.9	0.2	6.1	0.3

