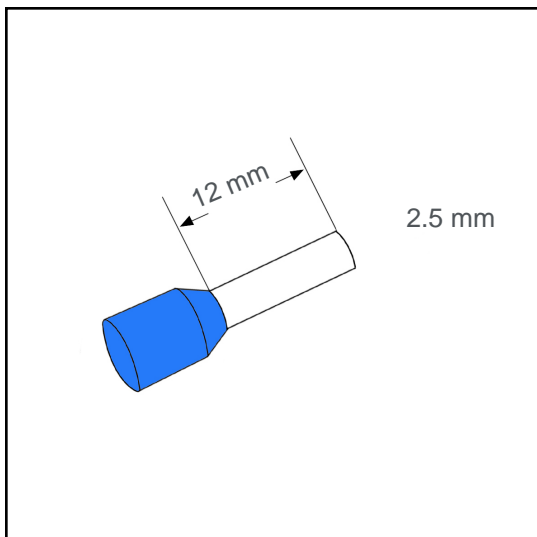


Wire end sleeve insulated 2.5 mm² - 12 mm A02575GB



Datasheet:

| | |
|--------------------------------------|------------------------|
| Cross section (mm ²): | 2.5 |
| AWG: | 14 |
| Length (mm): | 12 |
| Color: | blue |
| Material: | Cu-DHP / Polypropylene |
| Surface: | tin plated |
| Minimum thickness of tin coating: | 3 μm |
| Max. Temp: | 105°C |
| REACH/RoHS: | confirmed |

Packing sizes:

| | |
|----------------|------------------|
| 500 pcs.: | Part no.: 007140 |
| 10 x 100 pcs.: | Part no.: 007139 |
| 40000 pcs.: | Part no.: 007138 |

Dimensions (mm):

| | | | | | |
|----|----|-----|------|-----|-----|
| l1 | l2 | d1 | s1 | d2 | s2 |
| 20 | 12 | 2.3 | 0.15 | 4.9 | 0.3 |

