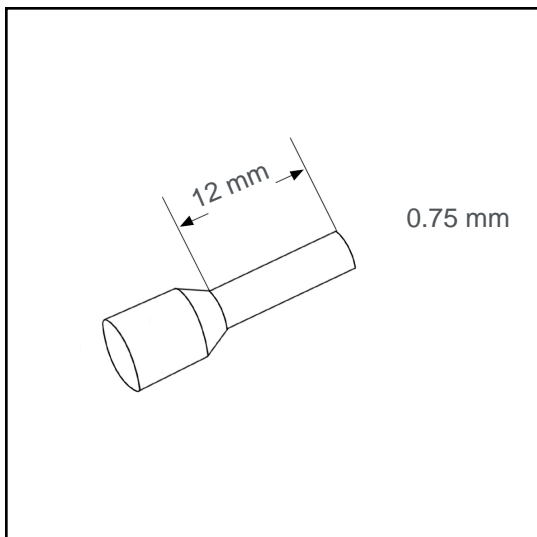


## Wire end sleeve insulated 0.75 mm<sup>2</sup> - 12 mm A00787GB



### Datasheet:

|                                      |                        |
|--------------------------------------|------------------------|
| Cross section (mm <sup>2</sup> ):    | 0.75                   |
| AWG:                                 | 18                     |
| Length (mm):                         | 12                     |
| Color:                               | white                  |
| Material:                            | Cu-DHP / Polypropylene |
| Surface:                             | tin plated             |
| Minimum thickness<br>of tin coating: | 3 μm                   |
| Max. Temp:                           | 105°C                  |
| REACH/RoHS:                          | confirmed              |
| Certificates:                        | UL                     |

for wires with thick insulation (GB)

### Packing sizes:

|                |                  |
|----------------|------------------|
| 500 pcs.:      | Part no.: 007119 |
| 10 x 100 pcs.: | Part no.: 007118 |
| 50000 pcs.:    | Part no.: 007115 |

### Dimensions (mm):

|      |    |     |      |     |     |
|------|----|-----|------|-----|-----|
| l1   | l2 | d1  | s1   | d2  | s2  |
| 18.5 | 12 | 1.3 | 0.15 | 3.3 | 0.3 |

