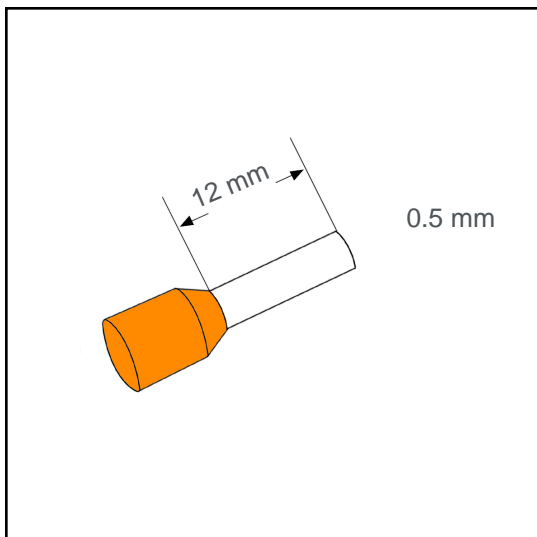


## Wire end sleeve insulated 0.5 mm<sup>2</sup> - 12 mm A00587GB



### Datasheet:

Cross section (mm <sup>2</sup> ):	0.5
AWG:	20
Length (mm):	12
Color:	orange
Material:	Cu-DHP / Polypropylene
Surface:	tin plated
Minimum thickness of tin coating:	3 µm
Max. Temp:	105°C
REACH/RoHS:	confirmed

for wires with thick insulation (GB)

### Packing sizes:

500 pcs.:	Part no.: 007746
50000 pcs.:	Part no.: 007745

### Dimensions (mm):

l1	l2	d1	s1	d2	s2
18.5	12	1.1	0.15	2.9	0.3

