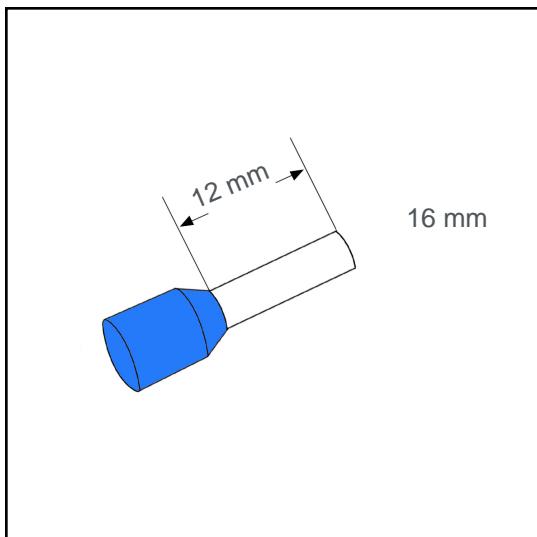


Wire end sleeve insulated 16 mm² - 12 mm A16055XL



Datasheet:

Cross section (mm ²):	16
AWG:	6
Length (mm):	12
Color:	blue
Material:	Cu-DHP / Polypropylene
Surface:	tin plated
Minimum thickness of tin coating:	3 µm
Max. Temp:	105°C
REACH/RoHS:	confirmed

Packing sizes:

2500 pcs.: Part no.: 005929

Dimensions (mm):

l1	l2	d1	s1	d2	s2
25.5	12	6	0.2	12.5	0.4

