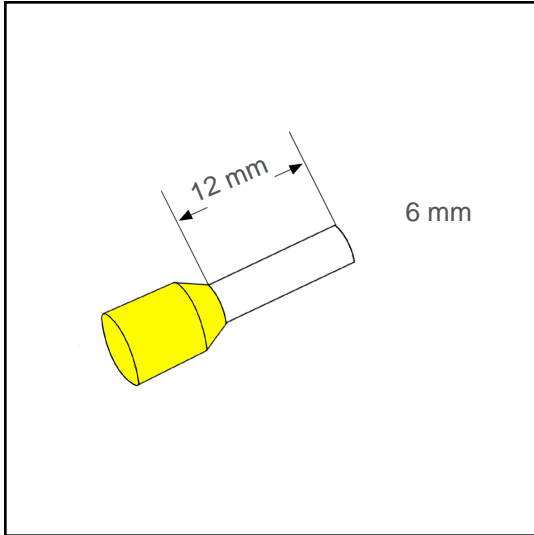


Wire end sleeve insulated 6 mm² - 12 mm A06055XL



Datasheet:

| | |
|--------------------------------------|------------------------|
| Cross section (mm ²): | 6 |
| AWG: | 10 |
| Length (mm): | 12 |
| Color: | yellow |
| Material: | Cu-DHP / Polypropylene |
| Surface: | tin plated |
| Minimum thickness of tin coating: | 3 µm |
| Max. Temp: | 105°C |
| REACH/RoHS: | confirmed |
| Certificates: | UL |

Packing sizes:

100 pcs.: Part no.: 005879

10000 pcs.: Part no.: 005145

Dimensions (mm):

| l1 | l2 | d1 | s1 | d2 | s2 |
|----|----|-----|-----|-----|-----|
| 23 | 12 | 3.6 | 0.2 | 8.7 | 0.3 |

