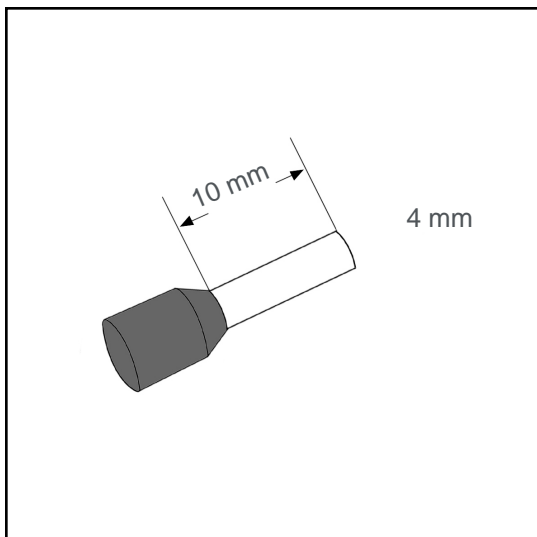


Wire end sleeve insulated 4 mm² - 10 mm A04055XL



Datasheet:

Cross section (mm ²):	4
AWG:	12
Length (mm):	10
Color:	grey
Material:	Cu-DHP / Polypropylene
Surface:	tin plated
Minimum thickness of tin coating:	3 µm
Max. Temp:	105°C
REACH/RoHS:	confirmed

Packing sizes:

12000 pcs.: Part no.: 005858

Dimensions (mm):

l1	l2	d1	s1	d2	s2
19.5	10	2.9	0.2	7.9	0.3

