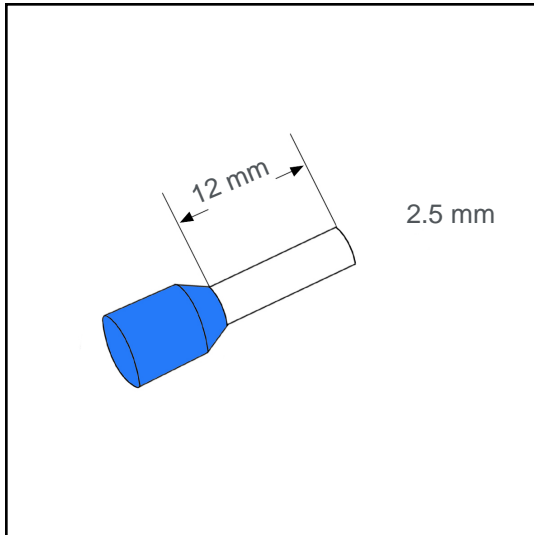


## Wire end sleeve insulated 2.5 mm<sup>2</sup> - 12 mm A02575XL



### Datasheet:

Cross section (mm <sup>2</sup> ):	2.5
AWG:	14
Length (mm):	12
Color:	blue
Material:	Cu-DHP / Polypropylene
Surface:	tin plated
Minimum thickness of tin coating:	3 μm
Max. Temp:	105°C
REACH/RoHS:	confirmed
Certificates:	UL

### Packing sizes:

100 pcs.: Part no.: 005845

12000 pcs.: Part no.: 005142

### Dimensions (mm):

l1	l2	d1	s1	d2	s2
21.5	12	2.3	0.15	7.9	0.3

