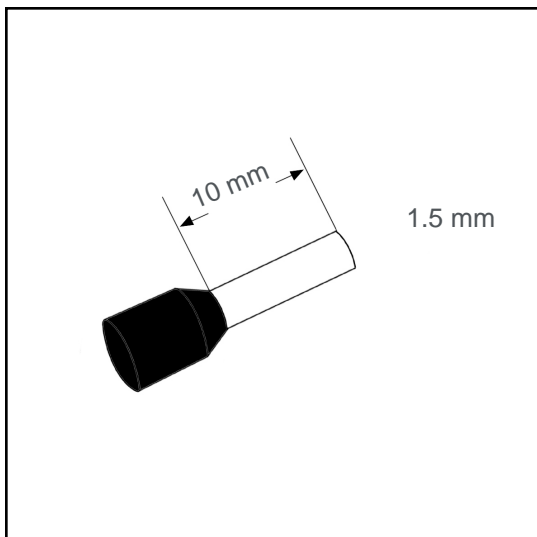


Wire end sleeve insulated 1.5 mm² - 10 mm A01575XL



Datasheet:

Cross section (mm ²):	1.5
AWG:	16
Length (mm):	10
Color:	black
Material:	Cu-DHP / Polypropylene
Surface:	tin plated
Minimum thickness of tin coating:	3 μm
Max. Temp:	105°C
REACH/RoHS:	confirmed
Certificates:	UL

Packing sizes:

100 pcs.:	Part no.: 005796
20000 pcs.:	Part no.: 005140

Dimensions (mm):

l1	l2	d1	s1	d2	s2
19.5	10	1.73	0.15	7	0.3

