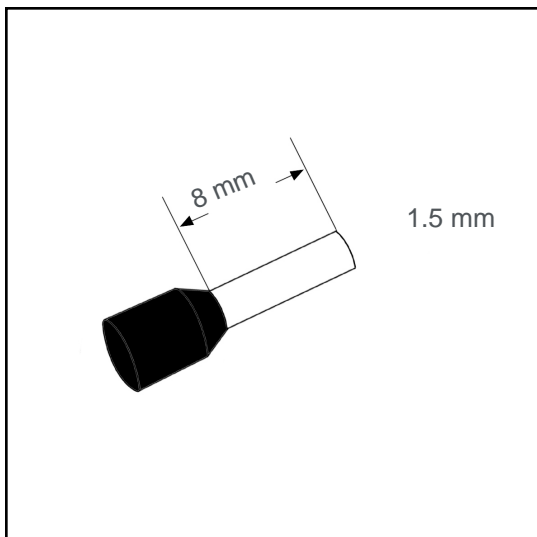


# Wire end sleeve insulated 1.5 mm<sup>2</sup> - 8 mm A01555XL



## Datasheet:

Cross section (mm <sup>2</sup> ):	1.5
AWG:	16
Length (mm):	8
Color:	black
Material:	Cu-DHP / Polypropylene
Surface:	tin plated
Minimum thickness of tin coating:	3 μm
Max. Temp:	105°C
REACH/RoHS:	confirmed
Certificates:	UL

## Packing sizes:

100 pcs.:	Part no.: 005773
25000 pcs.:	Part no.: 005469

## Dimensions (mm):

l1	l2	d1	s1	d2	s2
17.5	8	1.73	0.15	7	0.3

