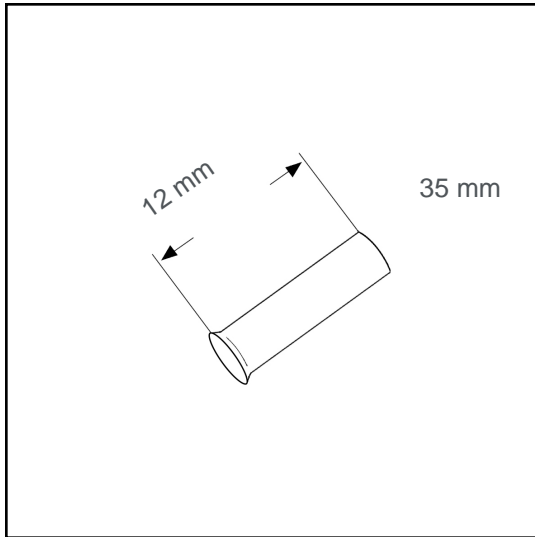


Wire end sleeve uninsulated 35 mm² - 12 mm B35012



Datasheet:

Cross section (mm ²):	35
AWG:	2
Length (mm):	12
Material:	Cu-DHP
Surface:	tin plated
Minimum thickness of tin coating:	3 µm
Max. Temp:	105°C
REACH/RoHS:	confirmed

Packing sizes:

100 pcs.: Part no.: 006096

10000 pcs.: Part no.: 005453

Dimensions (mm):

l1	d1	s1	d2
12	8.3	0.2	11

