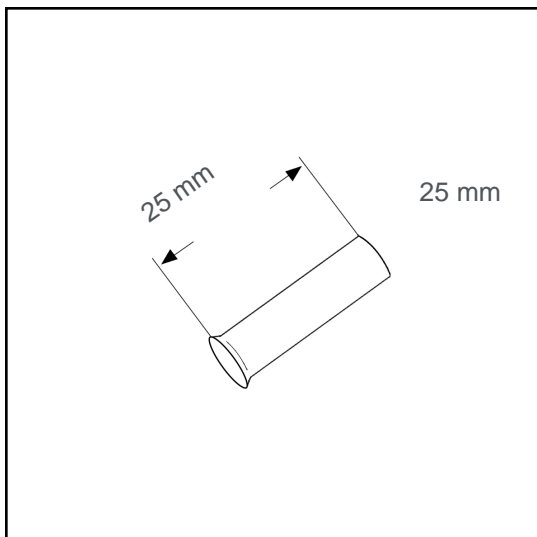


Wire end sleeve uninsulated 25 mm² - 25 mm B25025



Datasheet:

| | |
|--------------------------------------|--------------|
| Cross section (mm ²): | 25 |
| AWG: | 4 |
| Length (mm): | 25 |
| Material: | Cu-DHP |
| Surface: | tin plated |
| Minimum thickness of tin coating: | 3 µm |
| Max. Temp: | 105°C |
| REACH/RoHS: | confirmed |
| Certificates: | UL |
| DIN: | DIN 46228 T1 |

Packing sizes:

| | |
|-------------|------------------|
| 100 pcs.: | Part no.: 006094 |
| 10000 pcs.: | Part no.: 005451 |

Dimensions (mm):

| l1 | d1 | s1 | d2 |
|----|-----|-----|-----|
| 25 | 7.3 | 0.2 | 9.5 |

