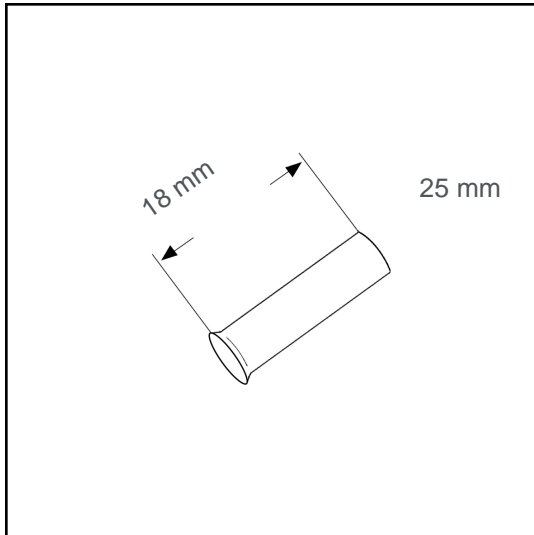


# Wire end sleeve uninsulated 25 mm<sup>2</sup> - 18 mm B25018



## Datasheet:

|                                      |              |
|--------------------------------------|--------------|
| Cross section (mm <sup>2</sup> ):    | 25           |
| AWG:                                 | 4            |
| Length (mm):                         | 18           |
| Material:                            | Cu-DHP       |
| Surface:                             | tin plated   |
| Minimum thickness<br>of tin coating: | 3 µm         |
| Max. Temp:                           | 105°C        |
| REACH/RoHS:                          | confirmed    |
| Certificates:                        | UL           |
| DIN:                                 | DIN 46228 T1 |

## Packing sizes:

100 pcs.: Part no.: 006092

10000 pcs.: Part no.: 005449

## Dimensions (mm):

|    |     |     |     |
|----|-----|-----|-----|
| l1 | d1  | s1  | d2  |
| 18 | 7.3 | 0.2 | 9.5 |

