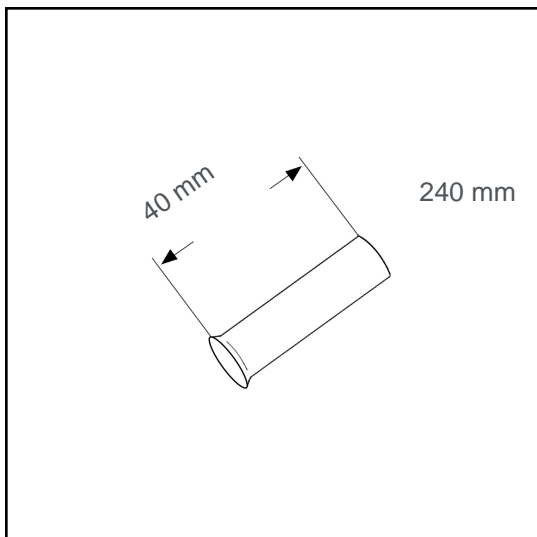


Wire end sleeve uninsulated 240 mm² - 40 mm B240040



Datasheet:

Cross section (mm ²):	240
AWG:	500MCM
Length (mm):	40
Material:	Cu-DHP
Surface:	tin plated
Minimum thickness of tin coating:	3 µm
Max. Temp:	105°C
REACH/RoHS:	confirmed

Packing sizes:

25 pcs.:	Part no.: 006088
300 pcs.:	Part no.: 005446

Dimensions (mm):

l1	d1	s1	d2
40	22.8	0.6	25.8

