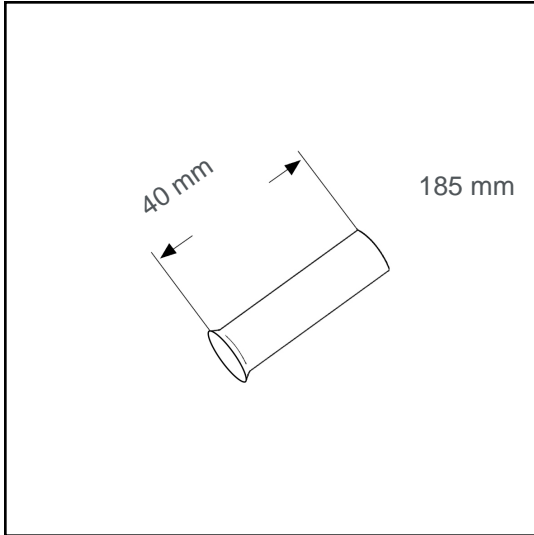


Wire end sleeve uninsulated 185 mm² - 40 mm B185040



Datasheet:

Cross section (mm ²):	185
AWG:	350MCM
Length (mm):	40
Material:	Cu-DHP
Surface:	tin plated
Minimum thickness of tin coating:	3 µm
Max. Temp:	105°C
REACH/RoHS:	confirmed

Packing sizes:

25 pcs.: Part no.: 006087

300 pcs.: Part no.: 005445

Dimensions (mm):

l1	d1	s1	d2
40	20	0.6	23.5

