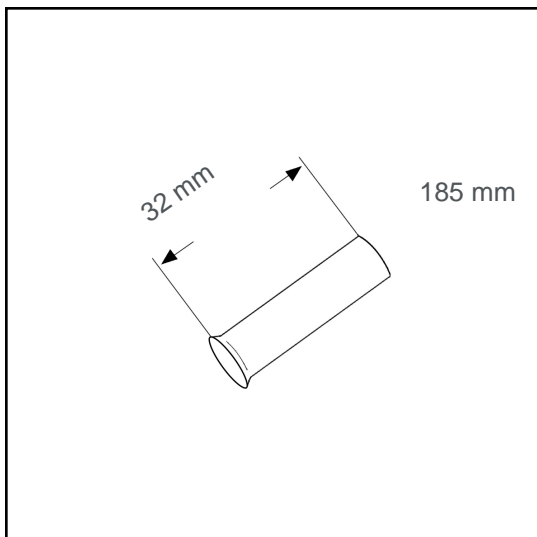


Wire end sleeve uninsulated 185 mm² - 32 mm B185032



Datasheet:

| | |
|--------------------------------------|------------|
| Cross section (mm ²): | 185 |
| AWG: | 350MCM |
| Length (mm): | 32 |
| Material: | Cu-DHP |
| Surface: | tin plated |
| Minimum thickness of tin coating: | 3 µm |
| Max. Temp: | 105°C |
| REACH/RoHS: | confirmed |

Packing sizes:

| | |
|-----------|------------------|
| 25 pcs.: | Part no.: 006086 |
| 300 pcs.: | Part no.: 005444 |

Dimensions (mm):

| l1 | d1 | s1 | d2 |
|----|----|-----|------|
| 32 | 20 | 0.6 | 23.5 |

