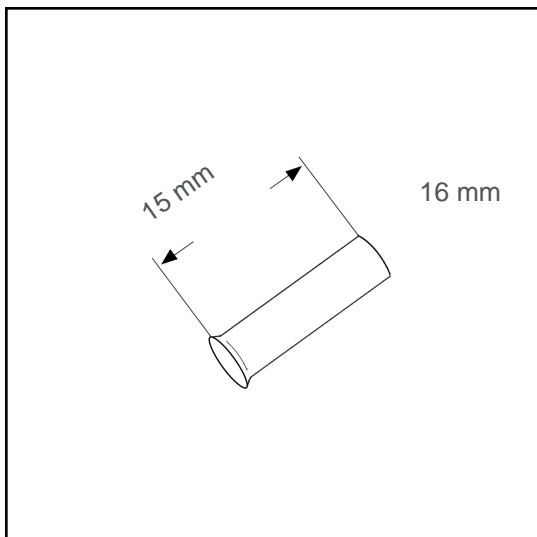


Wire end sleeve uninsulated 16 mm² - 15 mm B16015



Datasheet:

| | |
|--------------------------------------|--------------|
| Cross section (mm ²): | 16 |
| AWG: | 6 |
| Length (mm): | 15 |
| Material: | Cu-DHP |
| Surface: | tin plated |
| Minimum thickness of tin coating: | 3 μm |
| Max. Temp: | 105°C |
| REACH/RoHS: | confirmed |
| Certificates: | UL |
| DIN: | DIN 46228 T1 |

Packing sizes:

| | |
|-------------|------------------|
| 250 pcs.: | Part no.: 006080 |
| 10000 pcs.: | Part no.: 005439 |

Dimensions (mm):

| l1 | d1 | s1 | d2 |
|----|-----|-----|-----|
| 15 | 5.8 | 0.2 | 7.5 |

