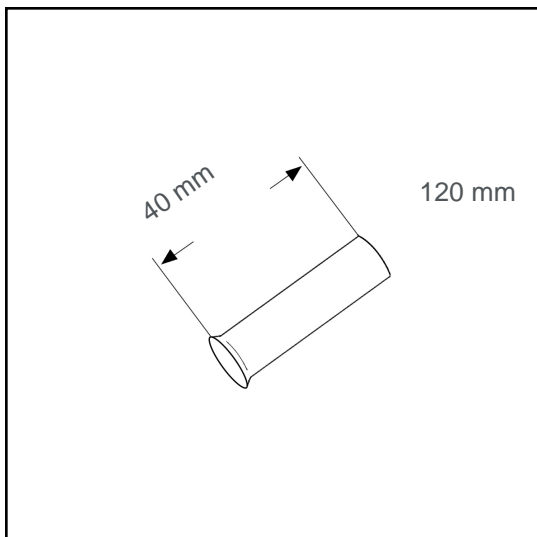


Wire end sleeve uninsulated 120 mm² - 40 mm B120040



Datasheet:

Cross section (mm ²):	120
AWG:	250MCM
Length (mm):	40
Material:	Cu-DHP
Surface:	tin plated
Minimum thickness of tin coating:	3 µm
Max. Temp:	105°C
REACH/RoHS:	confirmed

Packing sizes:

50 pcs.:	Part no.: 006076
300 pcs.:	Part no.: 005435

Dimensions (mm):

l1	d1	s1	d2
40	16.5	0.5	19

