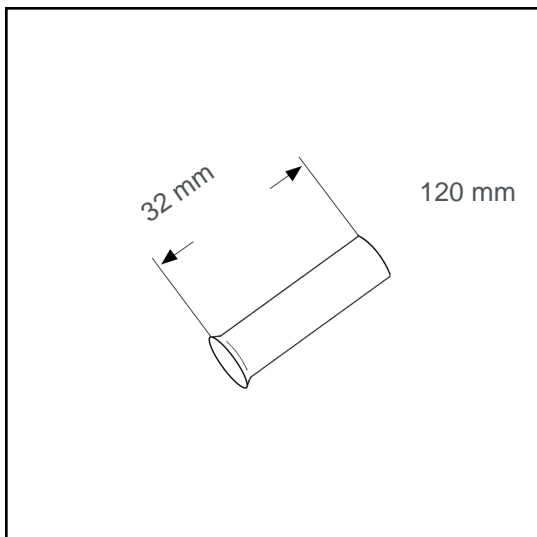


# Wire end sleeve uninsulated 120 mm<sup>2</sup> - 32 mm B120032



## Datasheet:

Cross section (mm <sup>2</sup> ):	120
AWG:	250MCM
Length (mm):	32
Material:	Cu-DHP
Surface:	tin plated
Minimum thickness of tin coating:	3 µm
Max. Temp:	105°C
REACH/RoHS:	confirmed

## Packing sizes:

50 pcs.:	Part no.: 006075
300 pcs.:	Part no.: 005434

## Dimensions (mm):

l1	d1	s1	d2
32	16.5	0.5	19

