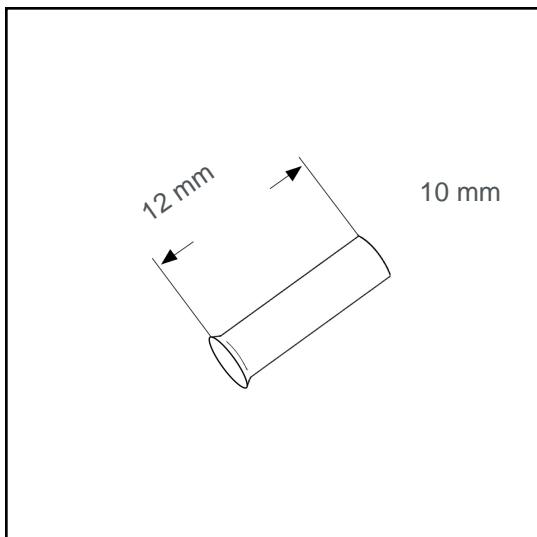


Wire end sleeve uninsulated 10 mm² - 12 mm B10012



Datasheet:

C	ARTOS ¹⁰
A	ENGINEERING FRANCE ³
Longue	info@artosfrance.com 12
Material:	Cu-DHP
Surface:	tin plated
Minimum thickness of tin coating:	3 µm
Max. Temp:	105°C
REACH/RoHS:	confirmed
Certificates:	UL
DIN:	DIN 46228 T1

Packing sizes:

500 pcs.:	Part no.: 006068
15000 pcs.:	Part no.: 006973

Dimensions (mm):

l1	d1	s1	d2
12	4.5	0.2	5.8

