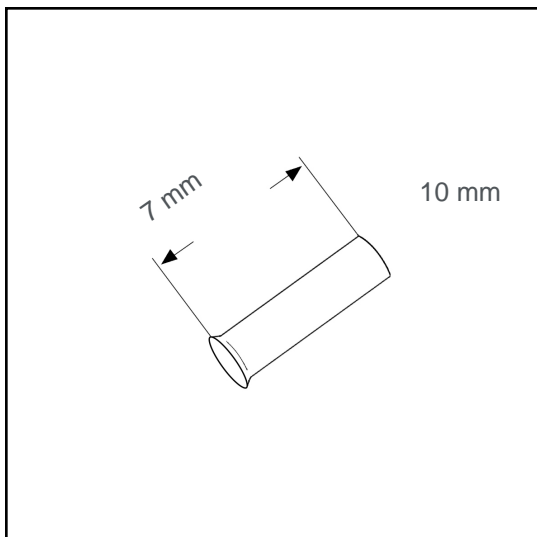


# Wire end sleeve uninsulated 10 mm<sup>2</sup> - 7 mm B10007



## Datasheet:

Cross section (mm <sup>2</sup> ):	10
AWG:	8
Length (mm):	7
Material:	E-Cu
Surface:	tin plated
Minimum thickness of tin coating:	3 µm
Max. Temp:	105°C
REACH/RoHS:	confirmed

## Packing sizes:

500 pcs.:	Part no.: 006067
15.000 pcs.:	Part no.: 005428

## Dimensions (mm):

l1	d1	s1	d2
7	5.8	0.2	5.8

