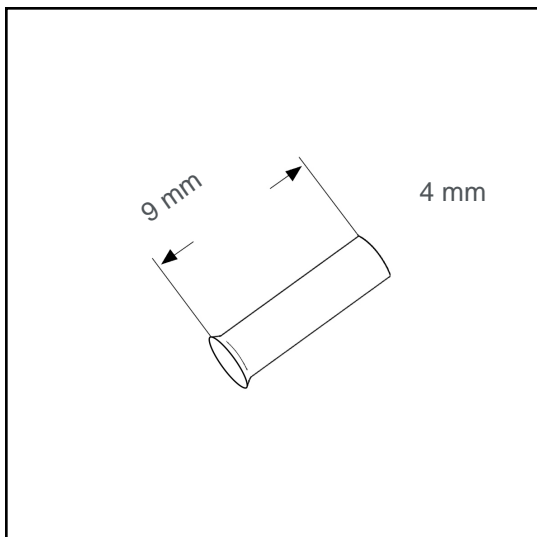


Wire end sleeve uninsulated 4 mm² - 9 mm B04009



Datasheet:

| | |
|--------------------------------------|--------------|
| Cross section (mm ²): | 4 |
| AWG: | 12 |
| Length (mm): | 9 |
| Material: | Cu-DHP |
| Surface: | tin plated |
| Minimum thickness of tin coating: | 3 μm |
| Max. Temp: | 105°C |
| REACH/RoHS: | confirmed |
| Certificates: | UL |
| DIN: | DIN 46228 T1 |

Packing sizes:

| | |
|-------------|------------------|
| 1000 pcs.: | Part no.: 006050 |
| 30000 pcs.: | Part no.: 005416 |

Dimensions (mm):

| l1 | d1 | s1 | d2 |
|----|-----|-----|----|
| 9 | 2.8 | 0.2 | 4 |

