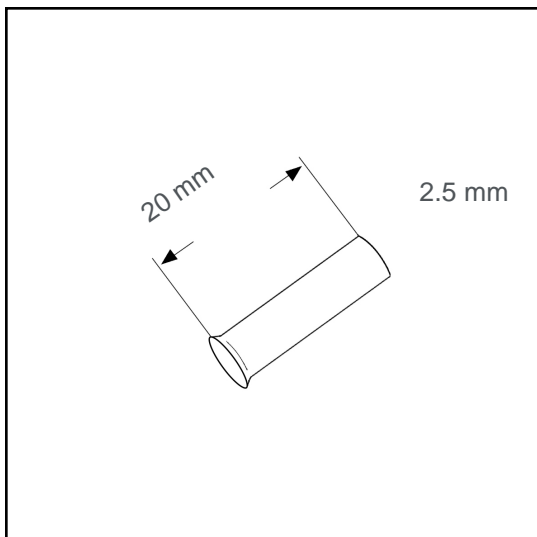


## Wire end sleeve uninsulated 2.5 mm<sup>2</sup> - 20 mm B02520



### Datasheet:

Cross section (mm <sup>2</sup> ):	2.5
AWG:	14
Length (mm):	20
Material:	Cu-DHP
Surface:	tin plated
Minimum thickness of tin coating:	3 µm
Max. Temp:	105°C
REACH/RoHS:	confirmed

### Packing sizes:

1000 pcs.:	Part no.: 006049
35000 pcs.:	Part no.: 005415

### Dimensions (mm):

l1	d1	s1	d2
20	2.2	0.15	3.4

