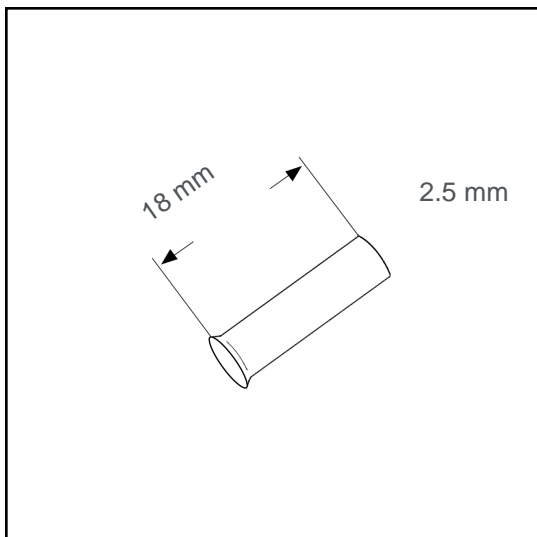


Wire end sleeve uninsulated 2.5 mm² - 18 mm B02518



Datasheet:

Cross section (mm ²):	2.5
AWG:	14
Length (mm):	18
Material:	Cu-DHP
Surface:	tin plated
Minimum thickness of tin coating:	3 µm
Max. Temp:	105°C
REACH/RoHS:	confirmed
Certificates:	UL
DIN:	DIN 46228 T1

Packing sizes:

1000 pcs.: Part no.: 006048

35000 pcs.: Part no.: 005414

Dimensions (mm):

l1	d1	s1	d2
18	2.2	0.15	3.4

