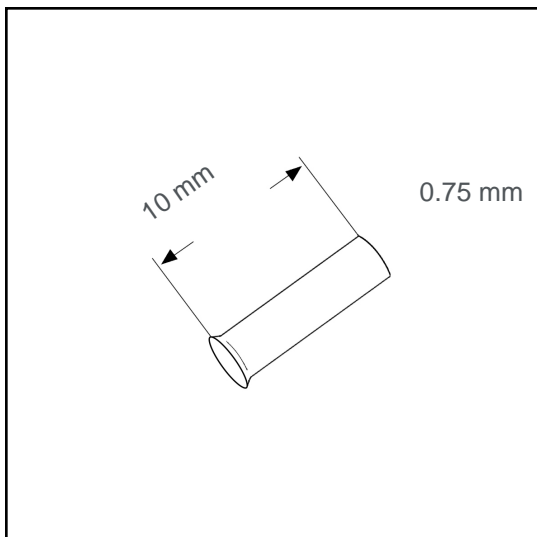


# Wire end sleeve uninsulated 0.75 mm<sup>2</sup> - 10 mm B00710



## Datasheet:

Cross section (mm <sup>2</sup> ):	0.75
AWG:	18
Length (mm):	10
Material:	Cu-DHP
Surface:	tin plated
Minimum thickness of tin coating:	3 μm
Max. Temp:	105°C
REACH/RoHS:	confirmed
Certificates:	UL
DIN:	DIN 46228 T1

## Packing sizes:

1000 pcs.:	Part no.: 006015
50000 pcs.:	Part no.: 005391

## Dimensions (mm):

l1	d1	s1	d2
10	1.2	0.15	2.3

