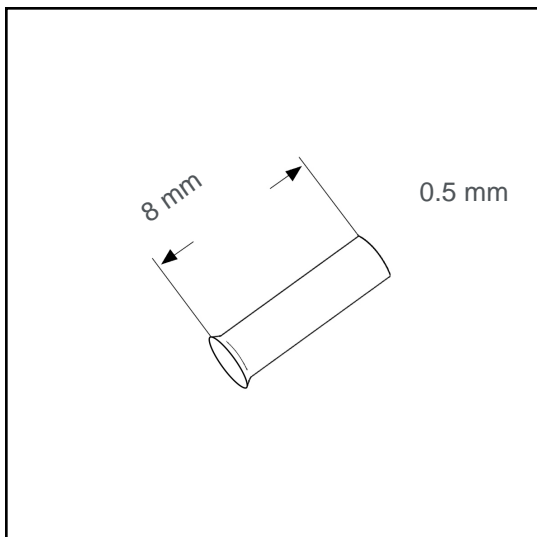


Wire end sleeve uninsulated 0.5 mm² - 8 mm B00508



Datasheet:

Cross section (mm ²):	0.5
AWG:	20
Length (mm):	8
Material:	Cu-DHP
Surface:	tin plated
Minimum thickness of tin coating:	3 µm
Max. Temp:	105°C
REACH/RoHS:	confirmed
Certificates:	UL

Packing sizes:

1000 pcs.: Part no.: 006008

50000 pcs.: Part no.: 005387

Dimensions (mm):

l1	d1	s1	d2
8	1	0.15	2.1

