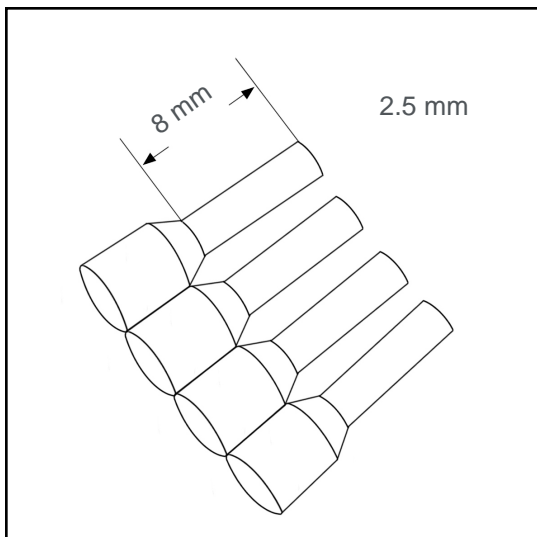


Wire end sleeve coils 2.5 mm² - 8 mm A02555B



Datasheet:

Cross section (mm ²):	2.5
AWG:	14
Length (mm):	8
Color:	blue
Material:	Cu-DHP / Polypropylene
Surface:	tin plated
Minimum thickness of tin coating:	3 μm
Max. Temp:	105°C
REACH/RoHS:	confirmed
Certificates:	UL
DIN:	DIN 46228 T4

B- type reel

Packing sizes:

1500 pcs.: Part no.: 005820

Dimensions (mm):

l1	l2	d1	s1	d2	s2	r
14.5	8	2.3	0.15	4.1	0.4	5

