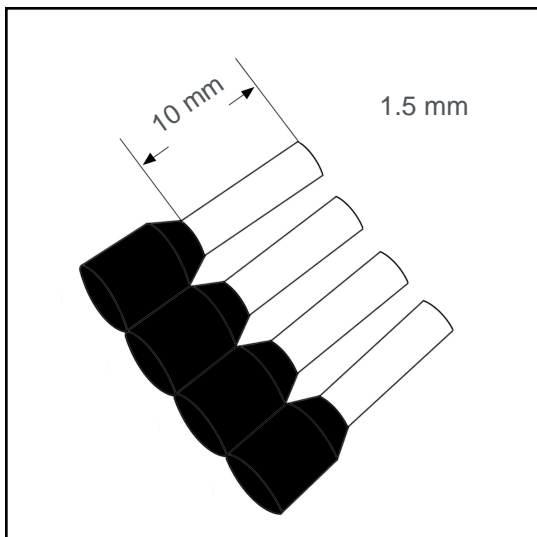


Wire end sleeve coils 1.5 mm² - 10 mm

A01575B



Datasheet:

Cross section (mm ²):	1.5
AWG:	16
Length (mm):	10
Color:	black
Material:	Cu-DHP / Polypropylene
Surface:	tin plated
Minimum thickness of tin coating:	3 μm
Max. Temp:	105°C
REACH/RoHS:	confirmed

Packing sizes:

2500 pcs.: Part no.: 010845

Dimensions (mm):

l1	l2	d1	s1	d2	s2	r
16.5	10	1.73	0.15	3.2	0.4	4.2

