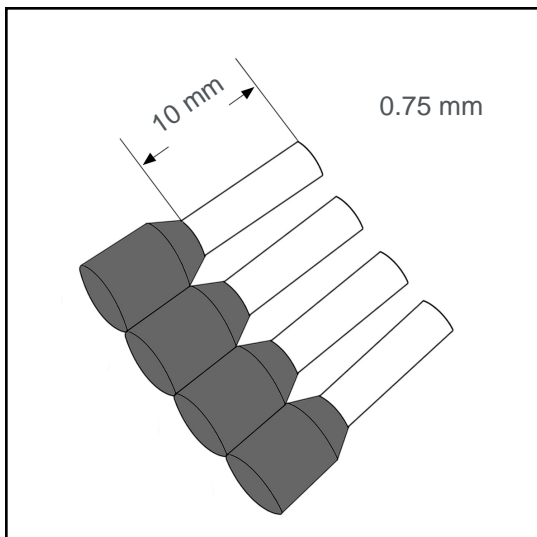


# Wire end sleeve coils 0.75 mm<sup>2</sup> - 10 mm

## A00775B



### Datasheet:

Cross section (mm <sup>2</sup> ):	0.75
AWG:	18
Length (mm):	10
Color:	grey
Material:	Cu-DHP / Polypropylene
Surface:	tin plated
Minimum thickness of tin coating:	3 μm
Max. Temp:	105°C
REACH/RoHS:	confirmed

### Packing sizes:

3000 pcs.: Part no.: 010912

### Dimensions (mm):

l1	l2	d1	s1	d2	s2	r
16.5	10	1.3	0.15	2.7	0.4	3.6

