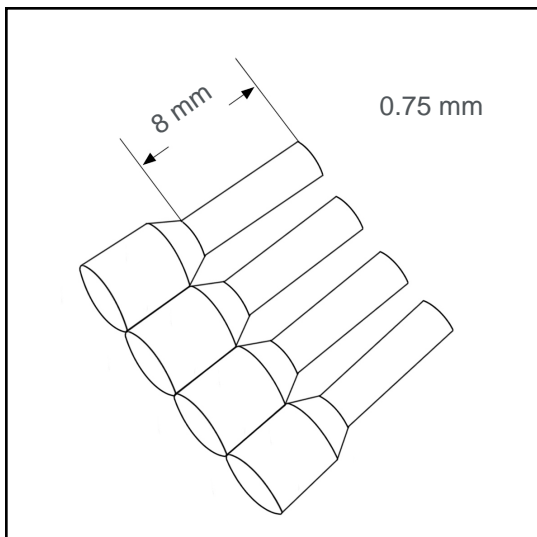


# Wire end sleeve coils 0.75 mm<sup>2</sup> - 8 mm

## A00757B



### Datasheet:

Cross section (mm <sup>2</sup> ):	0.75
AWG:	18
Length (mm):	8
Color:	white
Material:	Cu-DHP / Polypropylene
Surface:	tin plated
Minimum thickness of tin coating:	3 μm
Max. Temp:	105°C
REACH/RoHS:	confirmed
Certificates:	UL

B- type reel

### Packing sizes:

3000 pcs.: Part no.: 005669

### Dimensions (mm):

l1	l2	d1	s1	d2	s2	r
14.5	8	1.3	0.15	2.7	0.4	3.6

