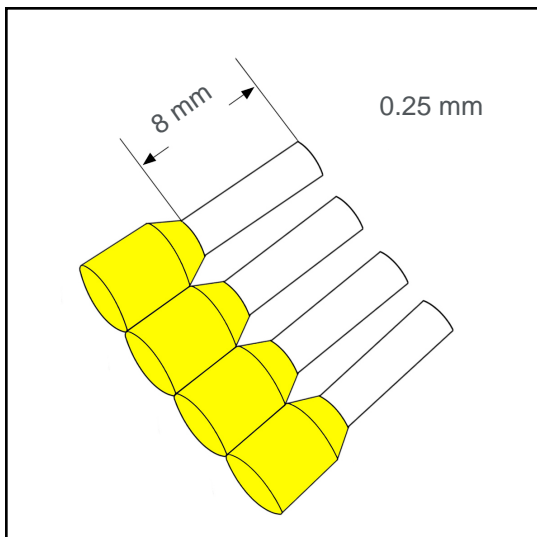


Wire end sleeve coils 0.25 mm² - 8 mm

A00255B



Datasheet:

Cross section (mm ²):	0.25
AWG:	24
Length (mm):	8
Color:	yellow
Material:	Cu-DHP / Polypropylene
Surface:	tin plated
Minimum thickness of tin coating:	3 μm
Max. Temp:	105°C
REACH/RoHS:	confirmed
Certificates:	UL

Packing sizes:

3000 pcs.: Part no.: 008268

Dimensions (mm):

l1	l2	d1	s1	d2	s2	r
14.5	8	0.8	0.15	2.1	0.4	2.6

